

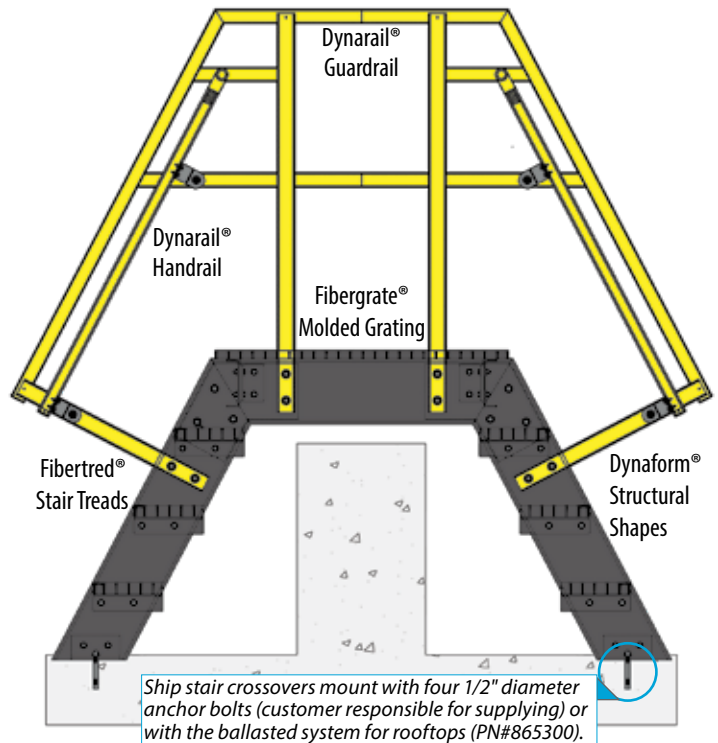
FRP Ship Stair Crossovers



Building the World to Last®

Pre-engineered composite ship stair crossovers by Fibergrate Composite Structures provide a more cost-effective, standard solution to meet customer's special requirements that would normally necessitate a custom solution. Whether you need a ship stair crossover for a retaining wall or a walkover for a tank, they are versatile enough to solve many of the day-to-day needs of most facilities.

Fibergrate's ship stair crossovers are newly redesigned to meet the revised OSHA Standards 1910.25 for Ship Stairs and Stairs and 1910.29 for Guardrails and Stair Rail Systems. Fibergrate's crossovers also meet the IBC 2015, Section 1011.15 requirements for ship's ladders. Traditional material options such as heavy, expensive steel or stainless steel crossovers are often unsafe, costly to ship and install, and difficult to clean. Fibergrate's composite crossovers offer a better solution that will save you time and money!



WHY USE FIBERGRATE'S SHIP STAIR CROSSOVERS?



CORROSION RESISTANT

Fibergrate composite products are known for their ability to provide corrosion resistance in the harshest environments and chemical exposures. Our products remain durable and will not rust or rot.



SLIP RESISTANT

The meniscus surface of the grating and stairs provides superior slip resistance in most environments, including oily or wet conditions.



EASY INSTALLATION

FRP ship stair crossovers are lightweight and easy to install. Fibergrate products eliminate the need for heavy lifting equipment, creating convenience and saving money.

SPECIFICATIONS

Safety Ratings

Meets OSHA Requirements:

- 1910.25
- 1910.29

Meets IBC 2015 Requirements:

- 1011.15

National Building Code of Canada

- 4.1.5.14
- 9.8.8.1
- 9.8.1-4
- 9.8.8.2
- 9.8.7

Materials of Construction

Fiberglass Reinforced Plastics (FRP)

- Fibergrate® Molded Grating & Fibertred® Molded Stair Treads with Corvex® Resin System; Dark Gray; Meniscus Surface
- Dynaform® Structural Shapes (ISOFR Resin), Dark Gray
- Dynarail® Guardrail & Handrail (ISOFR Resin with UV Coating); Yellow

Measurements

PART #	CLEARANCE HEIGHT	APPROXIMATE WEIGHT
866110.01	10" Clearance	105 lbs
866119.01	19-1/2" Clearance	111 lbs
866129.01	29" Clearance	125 lbs
866138.01	38-1/2" Clearance	158 lbs
866148.01	48" Clearance	174 lbs
866167.01	67" Clearance	204 lbs

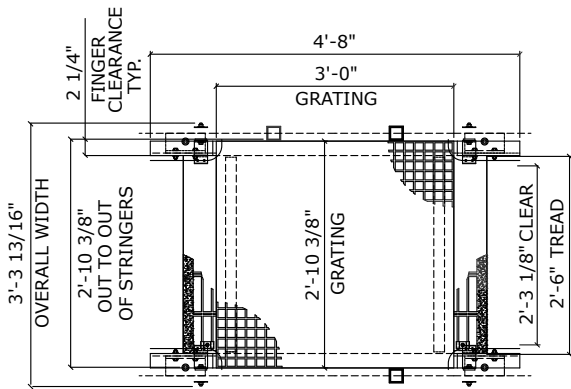


FRP Ship Stair Crossovers

Detailed Drawings

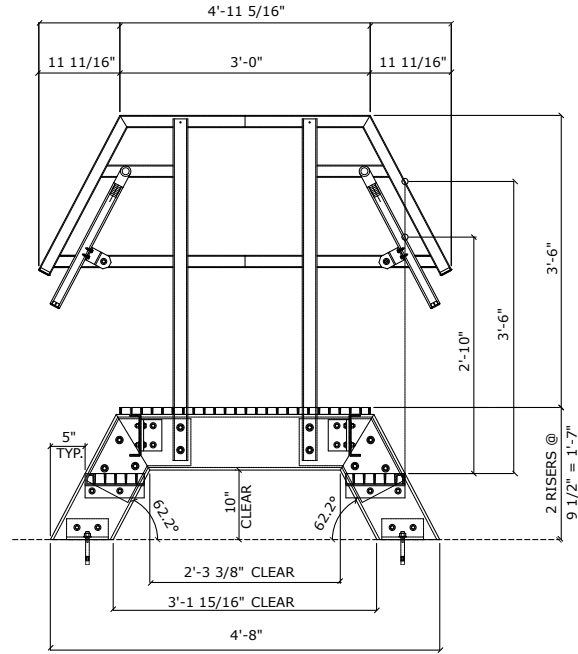
All crossovers are constructed of Fibergate® molded grating with Corvex® resin system in dark gray with meniscus surface, dark gray molded Fibertred® stair treads with Corvex resin and meniscus surface with grit nosing, ISOFR dark gray Dynaform® structural shapes, and ISOFR yellow UV coated Dynarail® guardrail and handrail.

10" CLEARANCE GRATING PLAN

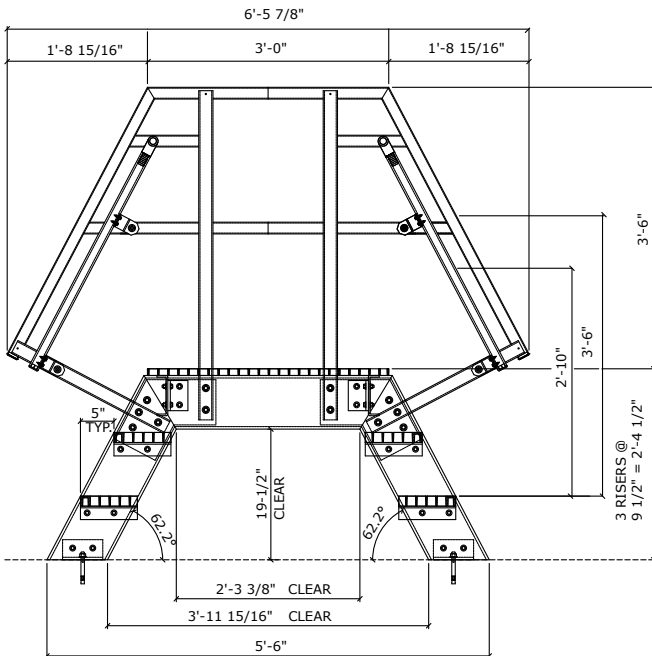


All standard crossover stairs (10", 19-1/2", 29", 38-1/2", 48" and 67" clearances) have 2'-6" wide stair treads and an overall width of 3' 3-13/16".

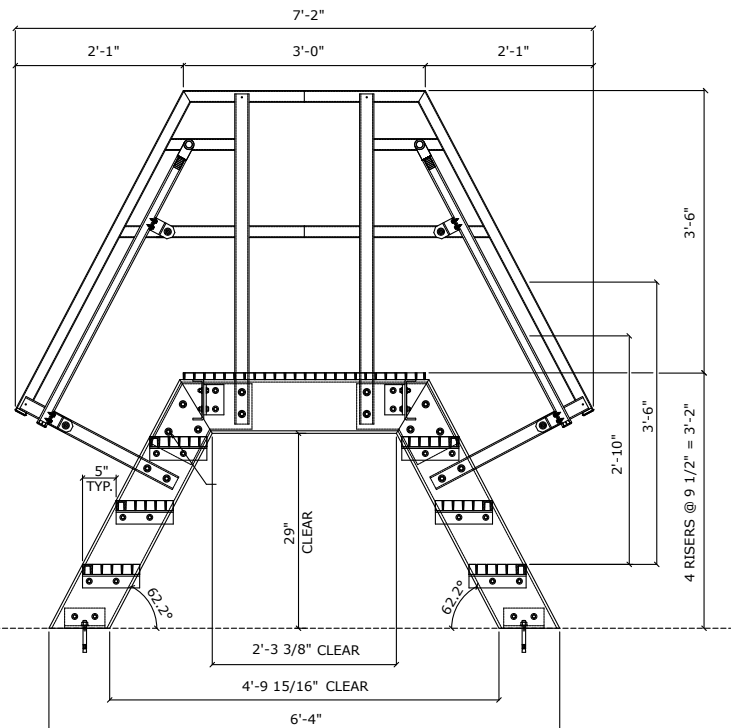
10" CLEARANCE PN 866110.01



19-1/2" CLEARANCE PN 866119.01

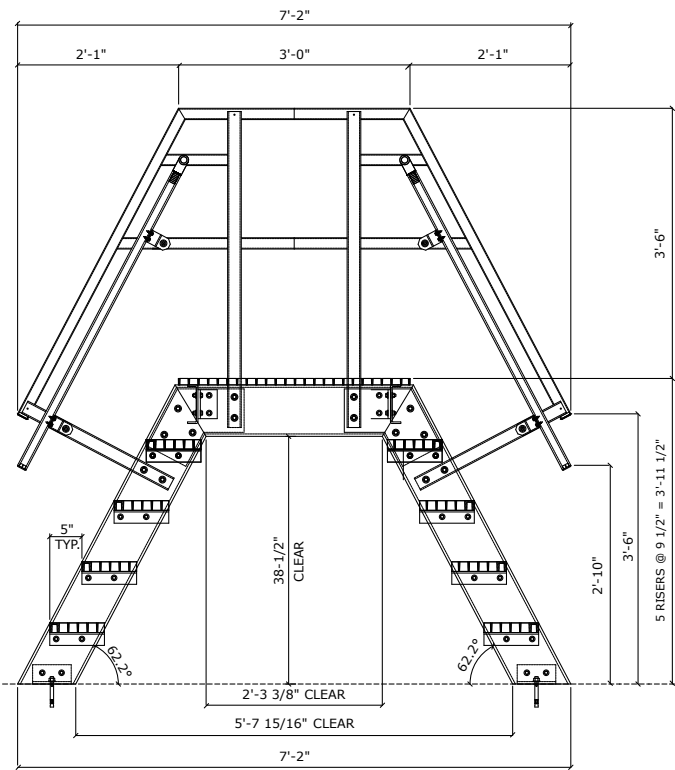


29" CLEARANCE PN 866129.01

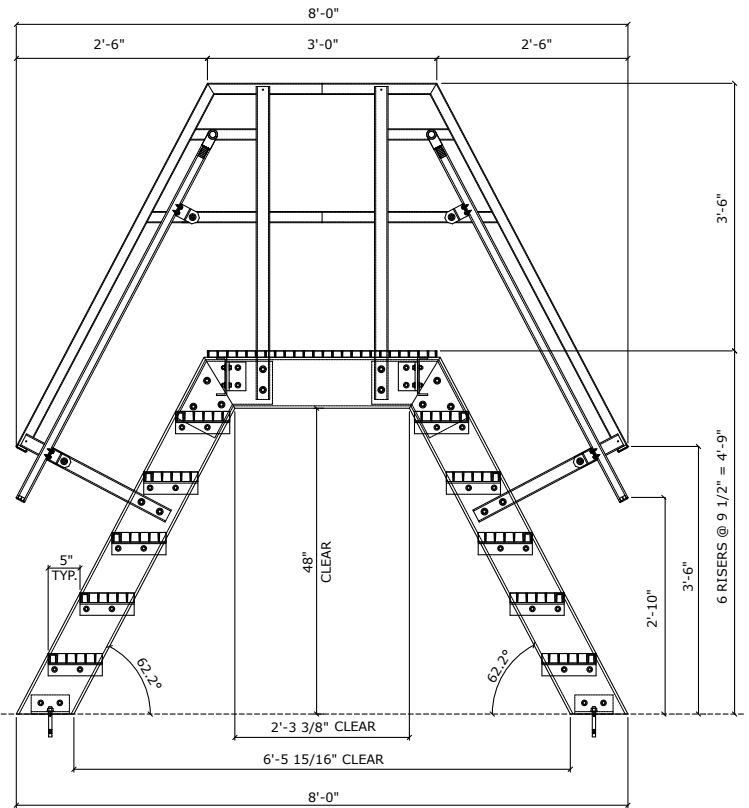


FRP Ship Stair Crossovers

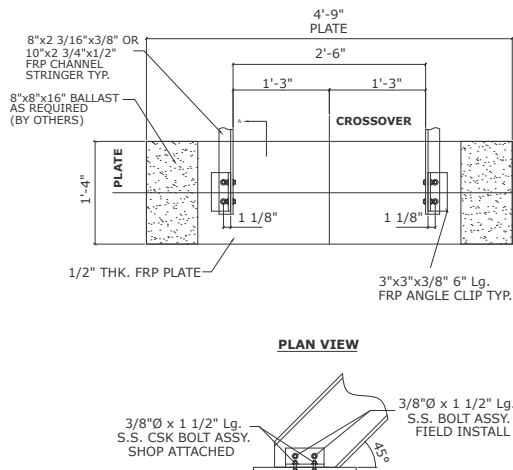
38-1/2" CLEARANCE - PN 866138.01



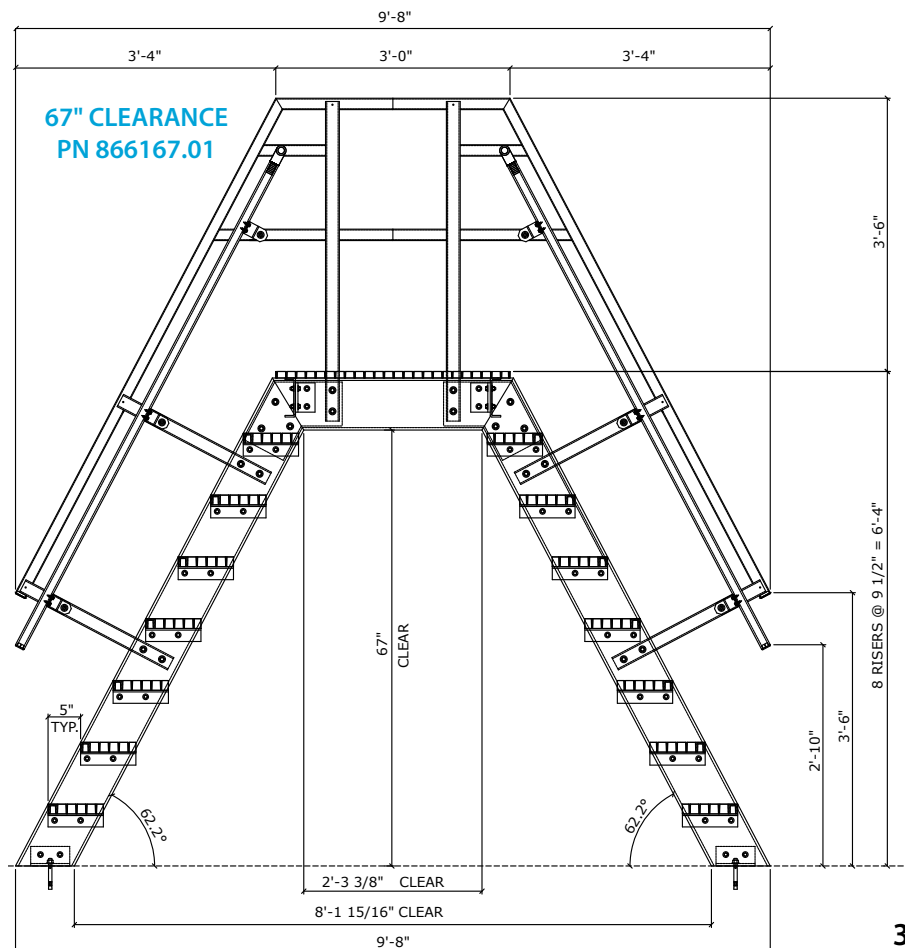
48" CLEARANCE - PN 866148.01



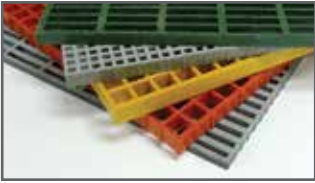
BALLASTED ROOFTOP SYSTEM
PN#865300



67" CLEARANCE
PN 866167.01



Fibergrate Products & Services



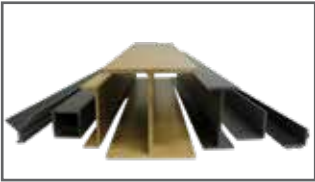
Fibergrate® Molded Grating

Fibergrate® molded gratings are designed to provide the ultimate in reliable performance, even in the most demanding conditions. Fibergrate offers the widest selection in the market with multiple resins and more than twenty grating configurations available in many panel sizes and surfaces.



Safe-T-Span® Pultruded Industrial & Pedestrian Gratings

Combining corrosion resistance, long-life and low maintenance, Safe-T-Span® provides unidirectional strength for industrial and pedestrian pultruded grating applications.



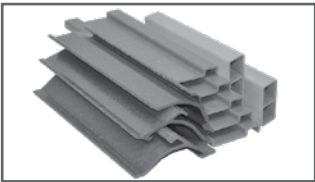
Dynaform® Structural Shapes

Fibergrate offers a wide range of standard Dynaform® pultruded structural profiles for industrial and commercial use, including I-beams, wide flange beams, round and square tubes, bars, rods, channels, leg angles and plate.



Dynarail® & DynaRound™ Guardrail, Handrail & Ladder

Easily assembled from durable components or engineered and prefabricated to your specifications, Dynarail square tube and DynaRound round tube railing systems and Dynarail safety ladder systems meet or exceed OSHA and strict building code requirements for safety and design.



Custom Composite Solutions

Combining Fibergrate's design, manufacturing and fabrication services allows Fibergrate to offer custom composite solutions to meet our client's specific requirements. Either through unique pultruded profiles or custom open molding, Fibergrate can help bring your vision to reality.



Design & Fabrication Services

Combining engineering expertise with an understanding of fiberglass applications, Fibergrate provides turnkey design and fabrication of fiberglass structures, including platforms, catwalks, stairways, railings and equipment support structures.



Worldwide Sales & Distribution Network

Whether a customer requires a platform in a mine in South Africa to grating on an oil rig in the North Sea, or walkways in a Wisconsin cheese plant to railings at a water treatment facility in Brazil; Fibergrate has sales and service locations throughout the world to meet the needs and exceed the expectations of any customer.

Fibergrate Composite Structures Inc. believes the information contained here to be true and accurate. Fibergrate makes no warranty, expressed or implied, based on this literature and assumes no responsibility for the consequential or incidental damages in the use of these products and systems described, including any warranty of merchantability or fitness. Information contained here can be for evaluation only. The marks and trade names appearing herein, whether registered or unregistered, are the property of Fibergrate Composite Structures Inc.

